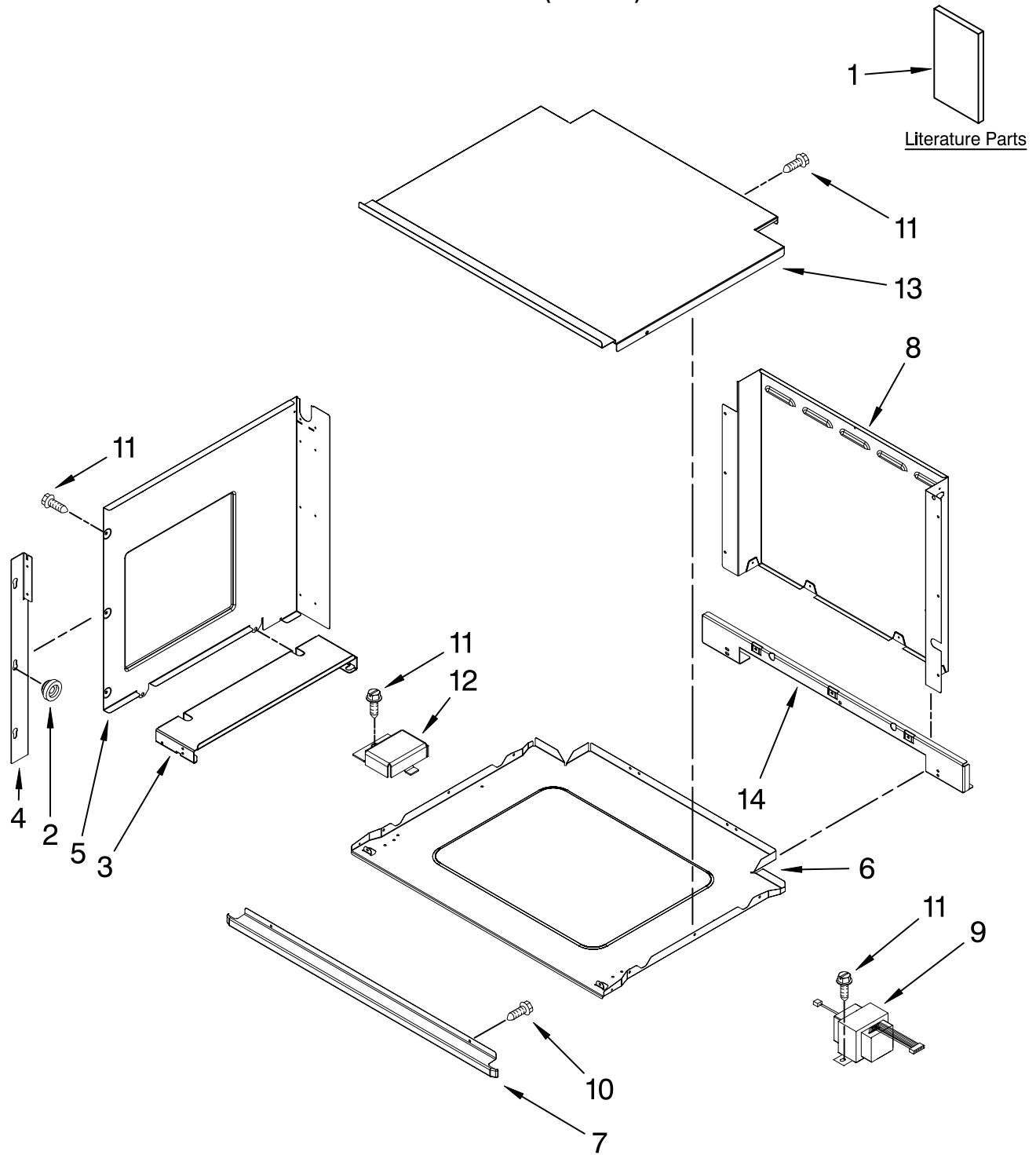


OVEN PARTS
For Models: KBHS109SSS00
(Stainless)

30" BUILT-IN MICROWAVE



FOR ORDERING INFORMATION REFER TO PARTS PRICE LIST

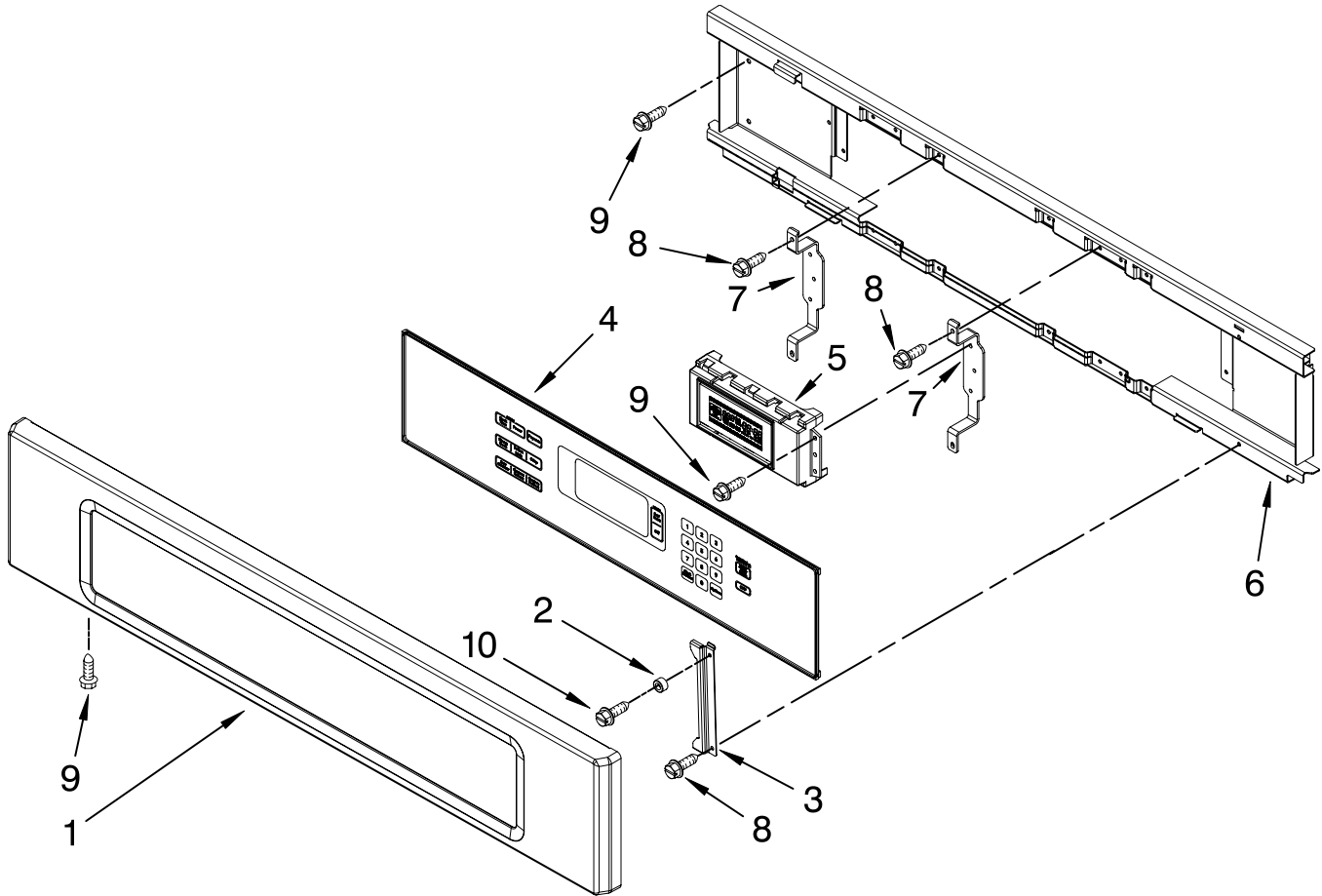
OVEN PARTS

For Models: KBHS109SSS00
(Stainless)

| Illus. No. | Part No. | DESCRIPTION |
|---------------|-------------|--------------------------------------|
| 1 | | Literature Parts |
| | 8304424 | Installation Instructions |
| | 8304369 | Use & Care Guide Tech Sheet |
| | 8304418 | English |
| | 8304419 | French |
| | 8304375 | Easy Set Guide Safer Cooking Tips |
| | 3191638 | English |
| | 9759133 | French |
| 2 | 4448444 | Grommet, Mounting Rail |
| 3 | 8304569 | Support, Microwave Module |
| 4 | | Rail, Mounting Side |
| | 8303798 | Right |
| | 8303799 | Left |
| 5 | | Side, Chassis |
| | 8304546 | Right |
| | 8303539 | Left |
| 6 | 8304216 | Base, Chassis |
| 7 | 8304057 | Trim, Bottom |
| 8 | 8304509 | Chassis, Back |
| 9 | 9760213 | Transformer, Microwave UI |
| 10 | 3400832 | Screw |
| 11 | 4449809 | Screw |
| 12 | 8285593 | Connector Cover |
| 13 | 8303519 | Cover, Top |
| 14 | 8303537 | Channel, Rear |

CONTROL PANEL PARTS

For Models: KBHS109SSS00
(Stainless)



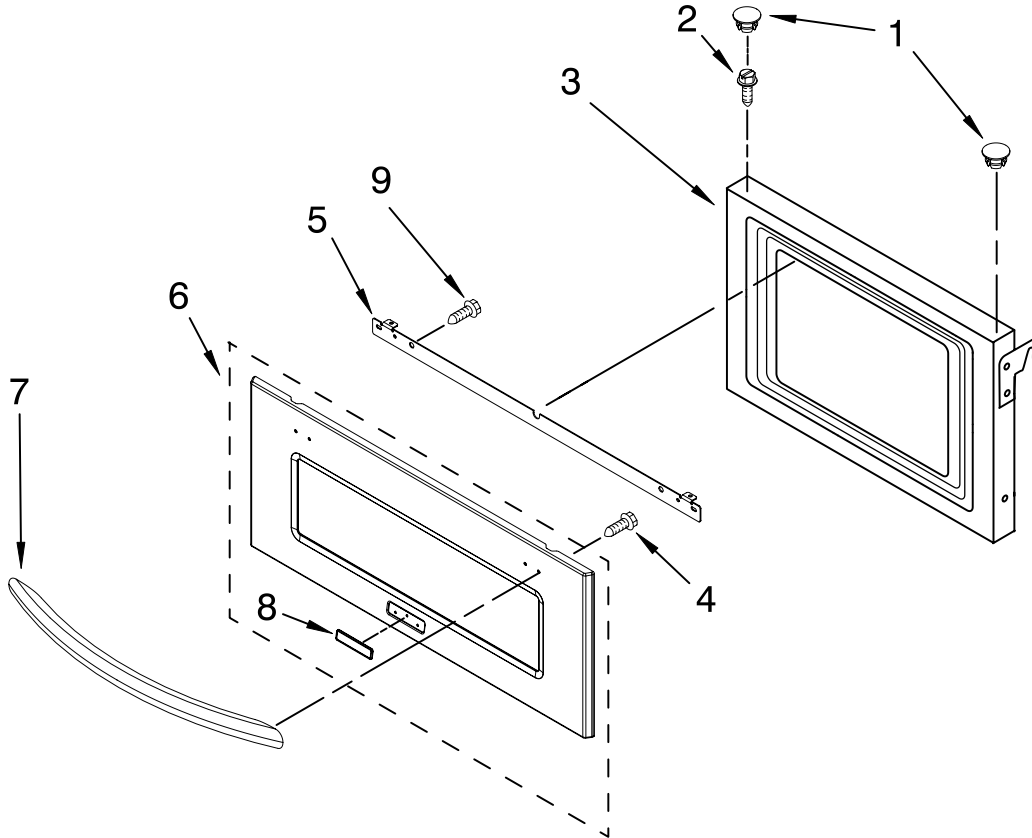
| Illus. No. | Part No. | DESCRIPTION |
|------------|-----------|-----------------------|
| 1 | 8303716SS | Panel, Control |
| 2 | 9760749 | Bumper, Door |
| 3 | 8303797 | Bracket, Glass Touch |
| 4 | 8304334 | Keyboard, Glass Touch |
| 5 | W10118736 | User Interface |
| 6 | 8303719 | Backer, Control |
| 7 | 8303887 | Bracket, Enclosure |
| 8 | 4449154 | Screw |
| 9 | 3400805 | Screw |
| 10 | 4449809 | Screw |

FOR ORDERING INFORMATION REFER TO PARTS PRICE LIST

MICROWAVE DOOR PARTS

For Models: KBHS109SSS00

(Stainless)



| Illus. No. | Part No. | DESCRIPTION |
|------------|----------|-------------|
|------------|----------|-------------|

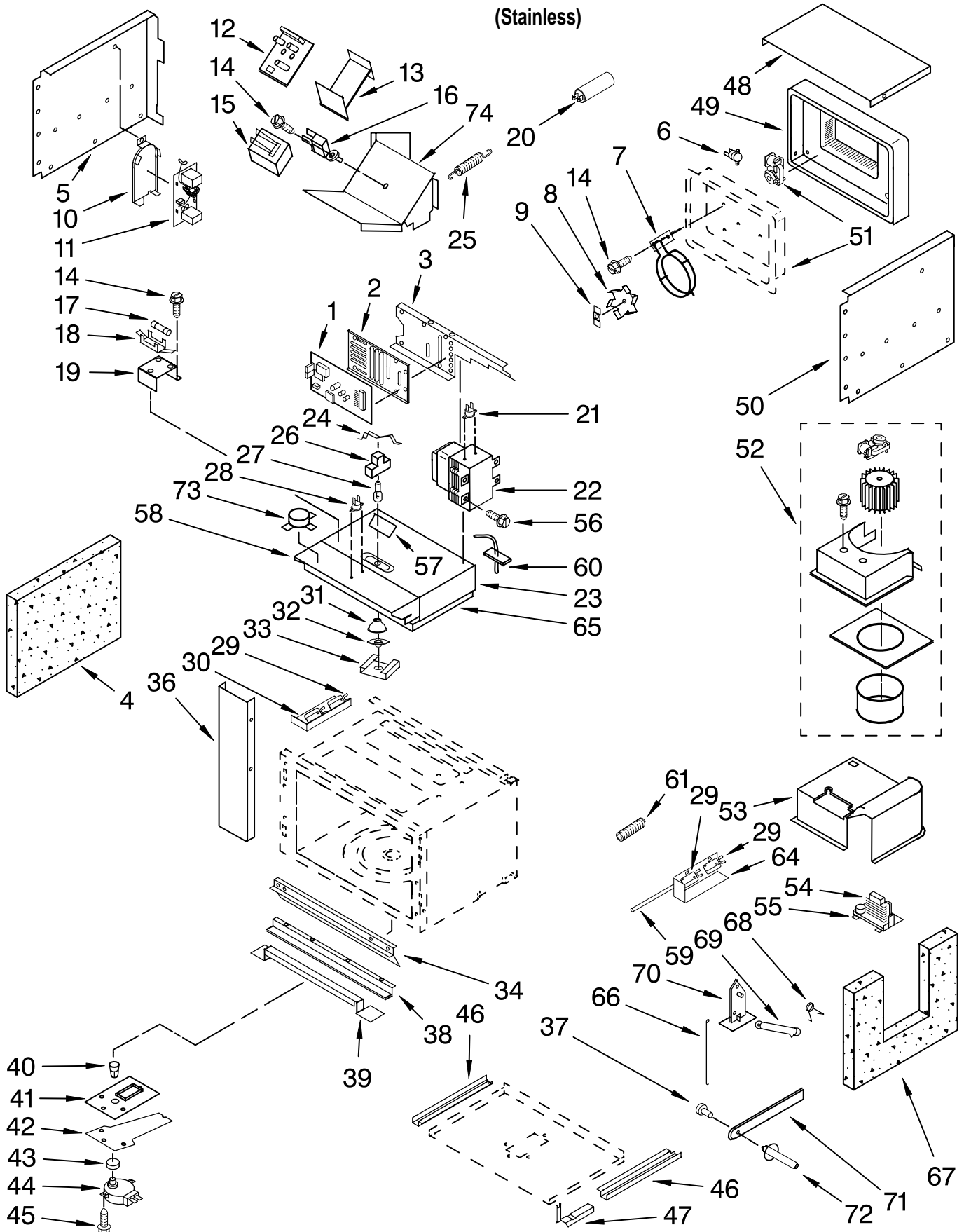
| | | |
|---|-----------|------------------|
| 1 | 8304588BL | Button, Plug (2) |
| 2 | 4449809 | Screw |
| 3 | W10120487 | Door, Microwave |
| 4 | 4449154 | Screw (4) |
| 5 | 8303033 | Bracket, Handle |
| 6 | 8304454 | Glass Assembly |
| 7 | 8303774SS | Handle, Door |
| 8 | 8304603SS | Badge |
| 9 | W10143304 | Screw |

FOR ORDERING INFORMATION REFER TO PARTS PRICE LIST

CABINET AND STIRRER PARTS

For Models: KBHS109SSS00

(Stainless)



FOR ORDERING INFORMATION REFER TO PARTS PRICE LIST

CABINET AND STIRRER PARTS

For Models: KBHS109SSS00

(Stainless)

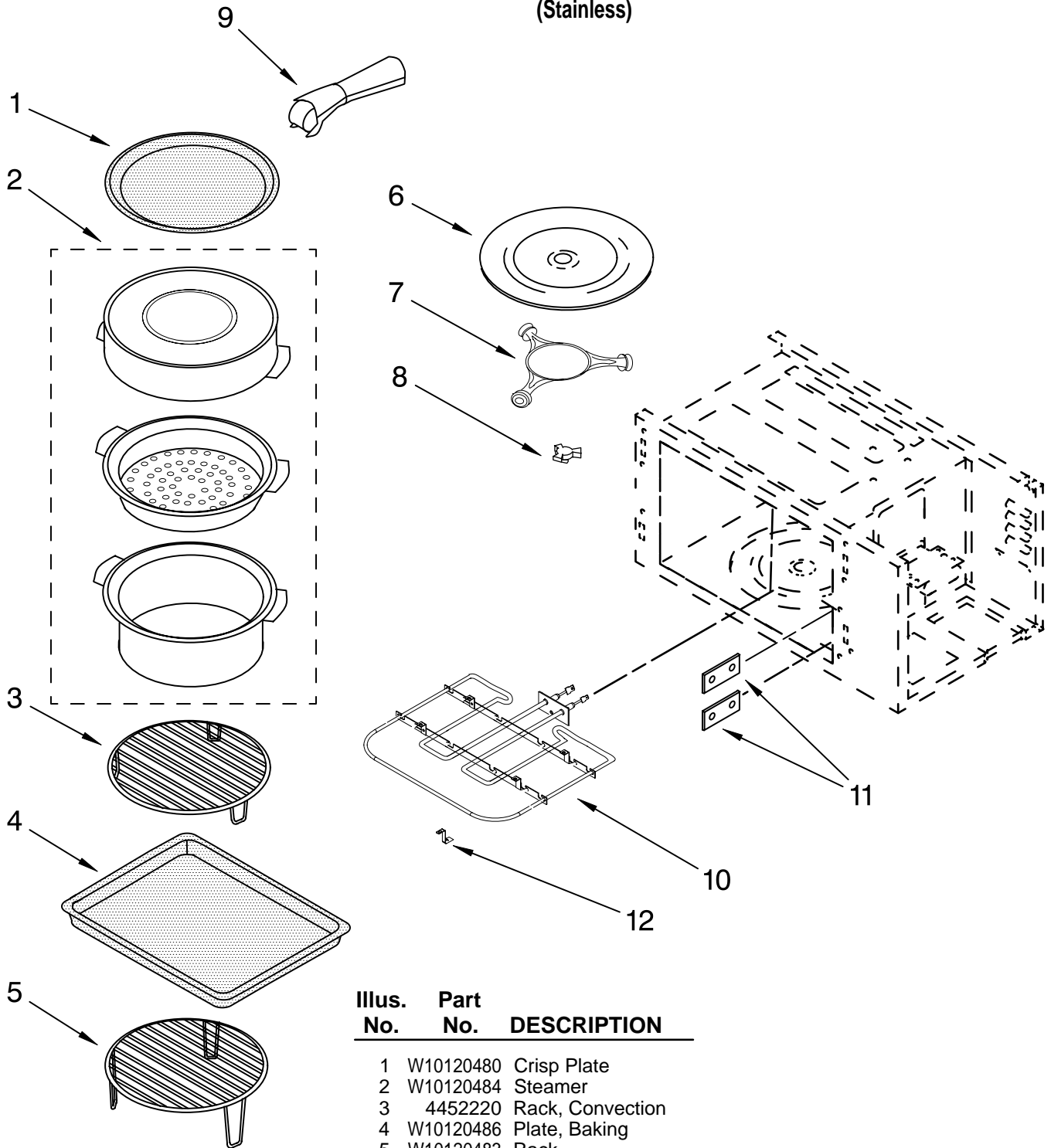
| Illus. No. | Part No. | DESCRIPTION | Illus. No. | Part No. | DESCRIPTION | Illus. No. | Part No. | DESCRIPTION |
|---------------|-------------|--------------------------------|---------------|-------------|-------------------------------|---------------|-------------|-------------------------------|
| 1 | W10120227 | Control, Electric | 25 | 8205685 | Spring | 47 | W10120478 | Hinge, Door |
| 2 | 8205669 | Support | 26 | 8205658 | Housing, Lamp | 48 | W10130903 | Cover, Plate |
| 3 | W10130892 | Plate, Air | 27 | 4375348 | Lamp | 49 | W10130904 | Cover, Rear |
| 4 | W10130901 | Insulation, Side Left | 28 | W10120222 | Thermostat | 50 | 8205680 | Cover, Side Right |
| 5 | W10120471 | Cover, Side Left | 29 | W10131248 | Switch | 51 | W10120221 | Convection, Motor Assmebly |
| 6 | W10120223 | Thermostat | 30 | 8205683 | Holder, Switch | 52 | 8205721 | Blower Assembly |
| 7 | W10120224 | Element, Convection | 31 | 4375320 | Reflector | 53 | W10130907 | Cover, Inverter |
| 8 | 4375418 | Fan | 32 | 4375318 | Lens, Lamp | 54 | W10120229 | Inverter |
| 9 | W10120233 | Nut, Speed | 33 | W10120231 | Clip. Spring | 55 | W10130906 | Holder, Inverter |
| 10 | W10130891 | Holder | 34 | W10120477 | Top Vent | 56 | W10130890 | Screw |
| 11 | W10120220 | Noise Filter | 36 | | Trim, Side | 57 | W10130908 | Baffle, Air |
| 12 | W10120228 | Control, Electric Converter | | W10120473 | Right | 58 | W10130899 | Plate, Air |
| 13 | W10130909 | Bracket, Support | 37 | W10120469 | Bushing | 59 | W10120235 | Rod, Release |
| 14 | W10131249 | Screw | 38 | W10130905 | Bracket, Support | 60 | W10120225 | Sensor |
| 15 | 8205692 | Transformer | 39 | 8205708 | Bracket, Support | 61 | 8205685 | Spring |
| 16 | 4375427 | Actuator | 40 | 8205682 | Shaft, Turntable Turntable | 64 | 8205683 | Interlock |
| 17 | 4375321 | Fuse | 41 | 8205681 | Cover, Motor Turntable | 65 | W10130900 | Insulation |
| 18 | 4375231 | Block, Fuse | 42 | W10120234 | Cover | 66 | 8205704 | Spring |
| 19 | W10130897 | Bracket, Support | 43 | 4375252 | Gasket, Shaft | 67 | W10130902 | Insulation |
| 20 | 8205653 | Filter, Noise | 44 | 8205655 | Motor, Turntable | 68 | 8205689 | Spring |
| 21 | 8205654 | Thermostat | 45 | 4375202 | Screw | 69 | 8205688 | Arm |
| 22 | W10120113 | Magnetron | 46 | 8205707 | Support | 70 | 8205686 | Support |
| 23 | W10130895 | Plate, Air | | | | 71 | W10120236 | Arm |
| 24 | 4375319 | Spring, Lamp | | | | 72 | W10120470 | Pin, Damper |
| | | | | | | 73 | 8205690 | Sensor |
| | | | | | | 74 | W10130898 | Duct, Magnetron |

FOR ORDERING INFORMATION REFER TO PARTS PRICE LIST

INTERNAL MICROWAVE PARTS

For Models: KBHS109SSS00

(Stainless)



| Illus. No. | Part No. | DESCRIPTION |
|------------|----------|-------------|
|------------|----------|-------------|

- | | | |
|----|-----------|-------------------|
| 1 | W10120480 | Crisp Plate |
| 2 | W10120484 | Steamer |
| 3 | 4452220 | Rack, Convection |
| 4 | W10120486 | Plate, Baking |
| 5 | W10120483 | Rack |
| 6 | 8205676 | Turntable |
| 7 | 8205678 | Ring |
| 8 | 8205677 | Drive, Turn Table |
| 9 | W10120481 | Handle, Pan |
| 10 | W10120226 | Grill Heater |
| 11 | W10120230 | Cover, Plates (2) |
| 12 | W10120232 | Bracket, Mounting |

FOR ORDERING INFORMATION REFER TO PARTS PRICE LIST

OPTIONAL PARTS

For Models: KBHS109SSS00

(Stainless)

| Illus. No. | Part No. | DESCRIPTION |
|-------------------|-----------------|--------------------|
|-------------------|-----------------|--------------------|

PAINT, TOUCH-UP (1/2oz.)

72017 White
261869 Cord Brown
72032 Black

PAINT, SPRAY

350930 White
261900 Citrine White
830864 Black

FOLLOWING PARTS NOT ILLUSTRATED

482338 Sealer, Silastic
(3 oz.)

WIRING HARNESS PARTS

8304442 Harness, Main
8304373 Harness,
Communication
4450800 Screw, Ground
8304374 Conduit
4452400 Lead, Ground Strap